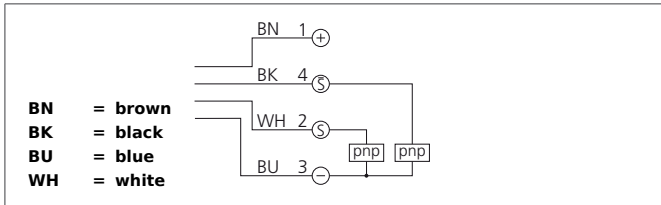


# OLV 40 P4K

## Amplifier for glass fiber optics

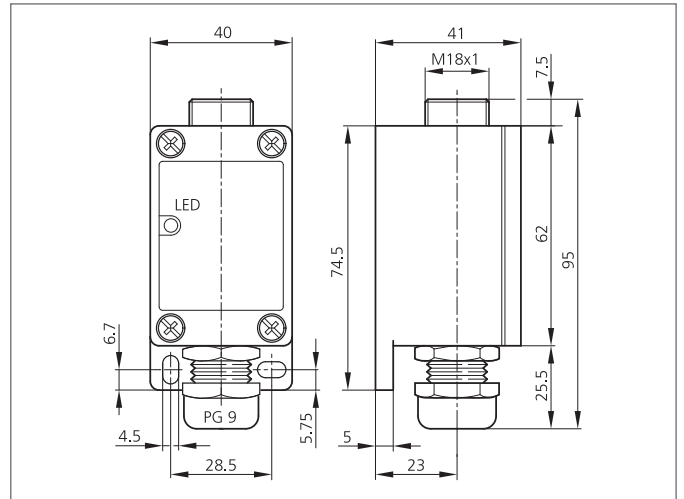
- Metal casing
- Infrared light
- Sensitivity adjustable
- High operating frequency
- Light/dark switching



### Safety instructions

The Instruments are not to be used for safety applications, in particular applications in which safety of persons depends on proper operation of the instruments.

These instruments shall exclusively be used by qualified personnel.



TECHNICAL INFORMATION (typ.)		+20°C, 24V DC
Amplifier for		Glass fiber optics M18
Evaluation		digital
Emitted light		Infrared, 880 nm, clocked
Service voltage		12 ... 35 V DC
Internal power consumption		< 55 mA
Sensitivity adjustment		potentiometer
Switching output		pnp, 200 mA, NO/NC, exclusive OR
Switching hysteresis		< 10 %
Switching frequency		1.500 Hz
Response-/release time		< 0,33 ms / < 0,33 ms
Ambient temperature		-10 ... +60 °C
Temperature drift		0,3 %/K
Ambient light immunity		20 kLx
Insulation voltage endurance		500 V
Protection class		IP 65
Casing material		Die-cast zinc lacquered finish
Connection		Connection compartment, PG 9